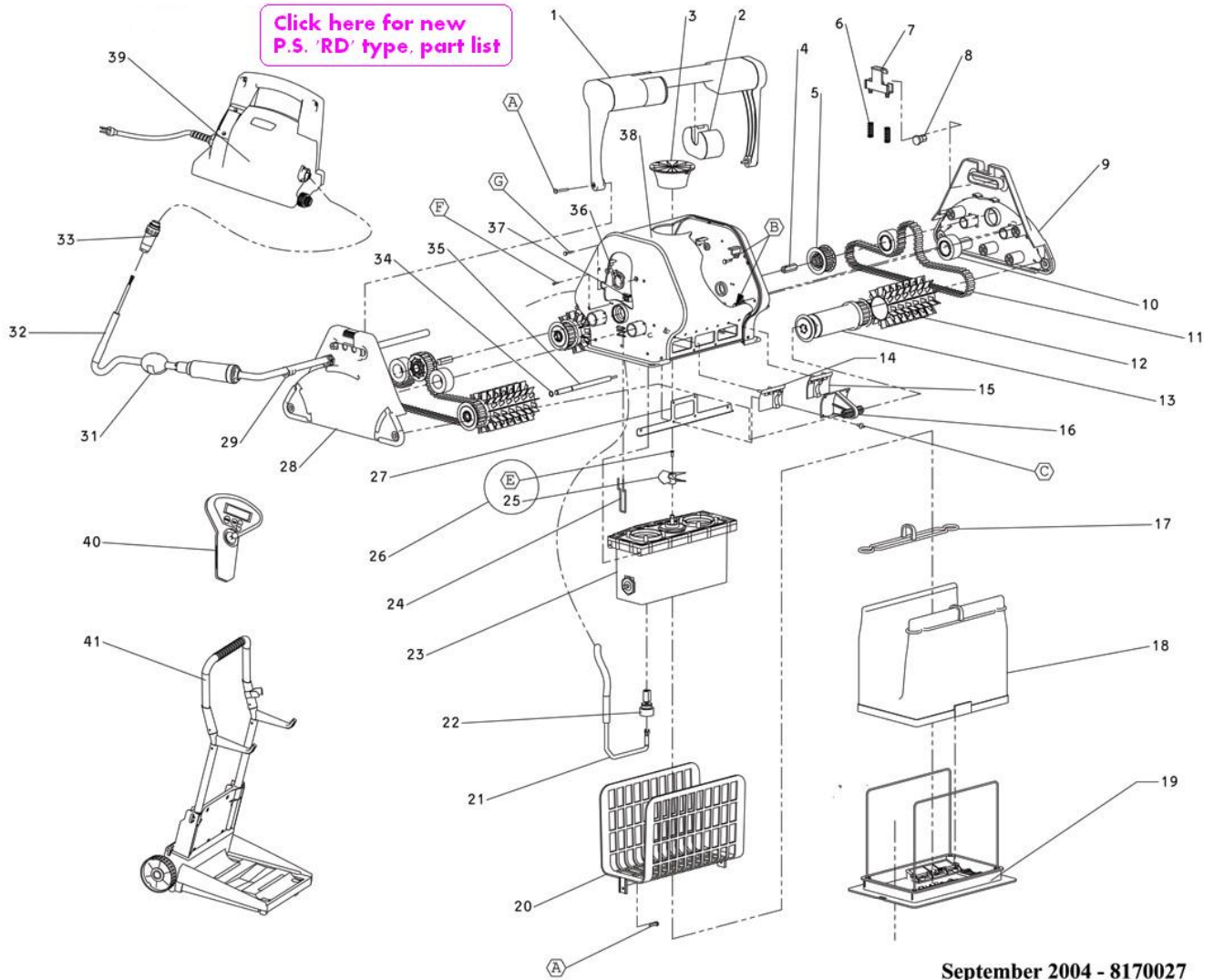




Steffek GmbH
Industriesrasse 12, 61440 Oberursel

24/9/2008

DOLPHIN PRO X 230V CB 9999093X

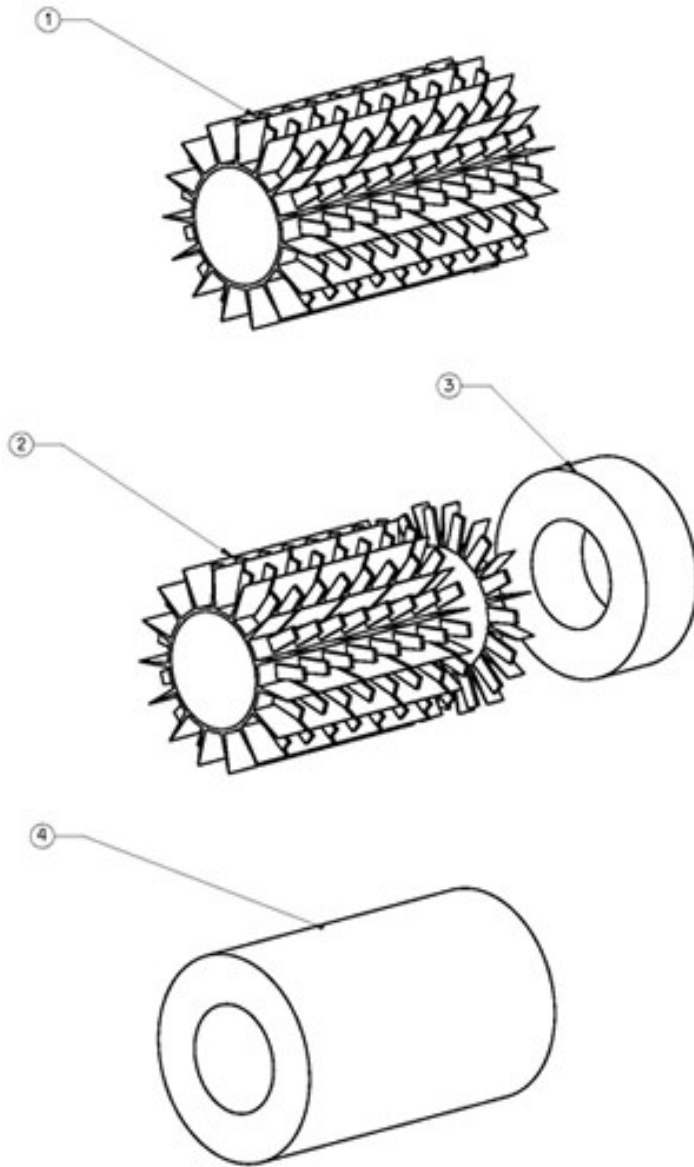


DOLPHIN PRO X 230V CB 9999093X

No	Part Number	Description	Kit
01	9995711	HANDLE ASSY PRO X	N
02	9995742	HANDLE FLOAT - DARK GREY	N
03	9995072	IMPELLER TUBE-GREY	N
04	3865005	HEXAGON ADAPTOR FOR D TYPE SHAFT	N
05	3883645	PULLEY FOR FLAT SHAFT - TT	N
06	3917031	HANDLE CLIP SPRING	N
07	9985062	HANDLE LATCH DARK GREY	N
08	9985065	HANDLE ARM SLIDE	N
09	9985089	SIDE PANEL PRO X	N
10	3884997	GUIDE WHEEL	N
11	9985006	TRACK - TIMING TRACK GREY	N
12	8881007	BRUSHES-DOL.PLUS/PRO-CATALOG KIT	Y
13	99955955- ASSY	WHEEL ASSY DYN PRO-X TT	N
14	9985283	NON RETURN FLAP DYN LEFT-GREY	N
15	9985285	NON RETURN FLAP DYN RIGHT-GREY	N
16	9980110	BRUSH HOLDER - DYNAMIC	N
17	9981430	FILTER BAG CLIP	N
18	8883999	FILTER BAGS - CATALOG KIT	Y
19	9995550	BOTTOM LID ASSY + SUPPORT 2005	Y
20	6203703	FILTER SCREEN	N
21	9995747LF- ASSY	CABLE: SWIVEL ASSY DYNAMIC 30M'	N
22	9991279	RETROFIT FOR CABLE CONN.-3 PIN	Y
23	8882004	MOTOR UNIT- DYN.PROX-CATALOG KIT	Y
24	3965030	WIRE CLIP	N
25	9985261	IMPELLER	N
26	9995269	IMPELLER+SCREW DC	Y
27	4197010	S.S.STRENGHTNER FOR DYN O.C.	N
28	9995051	SIDE PANEL W.C.F. PRO X	N
29	9981168	CABLE FITTING - DARK GREY	N
31	9995090	CABLE FLOAT ASSY	N
32	9991753	SLEEVE FOR FLOATING CABLE	N
33	5000009	AMPHENOL PLUG	N
34	3506799	CIRCLIP DIA.8MM A2	N
35	5581005	SHAFT S.S FOR DYN T.B.	N
36	3967121	FLOATING CABLE CLAMP 13-15	N
37	9995064	CABLE STOPPER ASSY.	Y

38	8881035	OC- DOL.PROX-CATALOG KIT	Y
39	9995651-ASSY	PS DYN 230V RESET	Y
40	9995405	RCU DOLPHIN PRO-X	Y
41	9996092	CADDY DOLPHIN	Y
A	3379720	SCREW KA50X20	N
B	3379616	SCREW KA50X16	N
C	3000484	POP NIT 4X15	N
E	3101410	SCREW M4X10	N
F	3379212	SCREW KA30X12	N
G	3154414	SCREW M4X14 - 7985	N
RPS	NOT AVAILABLE3	POWER SUPPLY DYN +RES. 230V RD	Y

Dynamic brush options diagram



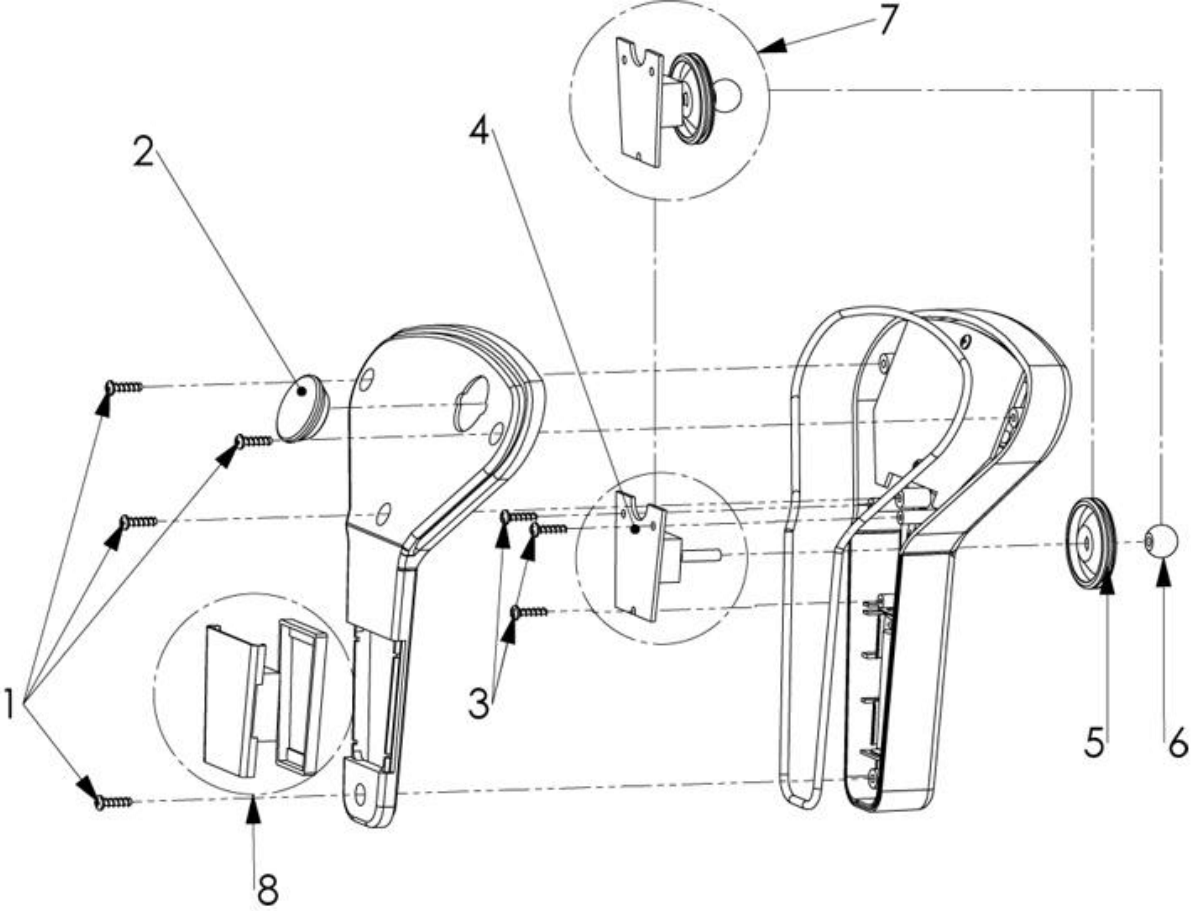
BRUSHES-DOL.PLUS/PRO-CATALOG KIT 8881007

No	Part Number	Description	Kit
01	6101635	BRUSH PVC DYN GREY	N
02	6101656	BRUSH PVC DYN GREY CB	N
03	6101611	BRUSH WB RING FOR CB	N
04	6101615	BRUSH WB - DYN	N

CABLE FOR P.S.-CATALOG KIT 8883998

No	Part Number	Description	Kit
1	5898400LF	CABLE FOR P.S -USA-TOUGH GROMET	N
2	5898401LF	CABLE FOR P.S -JPN-TOUGH GROMET	N
3	5898402LF	CABLE FOR P.S -EUR-TOUGH GROMET	N
4	5898403LF	CABLE FOR P.S -IL-TOUGH GROMET	N
5	5898404LF	CABLE FOR P.S -CH-TOUGH GROMET	N
6	5898405LF	CABLE FOR P.S -AUS-TOUGH GROMET	N
7	5898406LF	CABLE FOR P.S -ARG-TOUGH GROMET	N
8	5898407LF	CABLE FOR P.S -UK-TOUGH GROMET	N

RCU DOLPHIN PRO-X 9995405

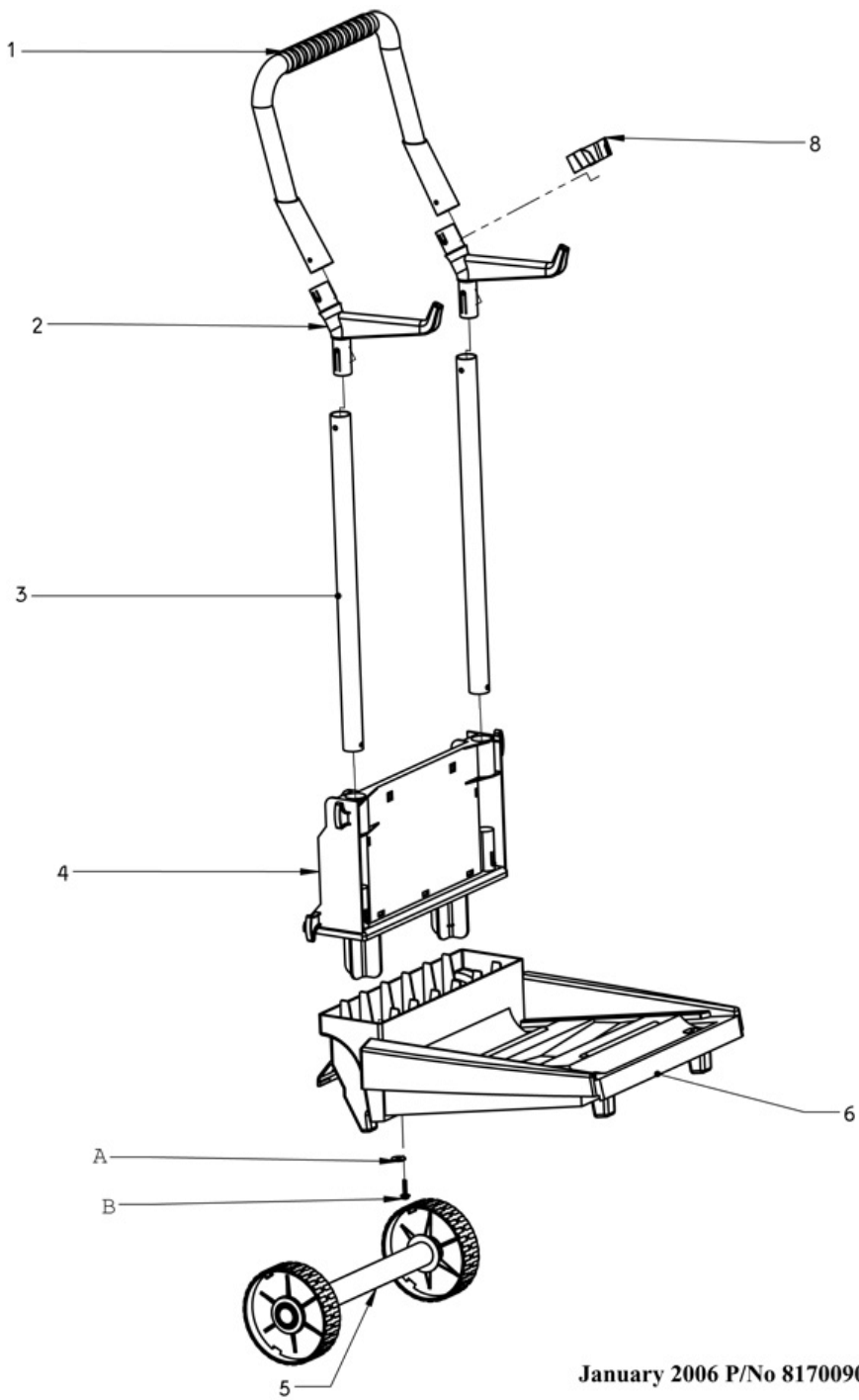


8170007 - MARCH 2008

RCU DOLPHIN PRO-X 9995405

No	Part Number	Description	Kit
01	9992302	SCREW KIT FOR RCU	N
02	9987005	CORK FOR UNIVERSAL RC BACK PANEL	N
07	9995428	JOYSTICK PCB ASSY	N
08	9995416-ASSY	RCU BATTERY COVER ASSY	N

CADDY DOLPHIN 9996092

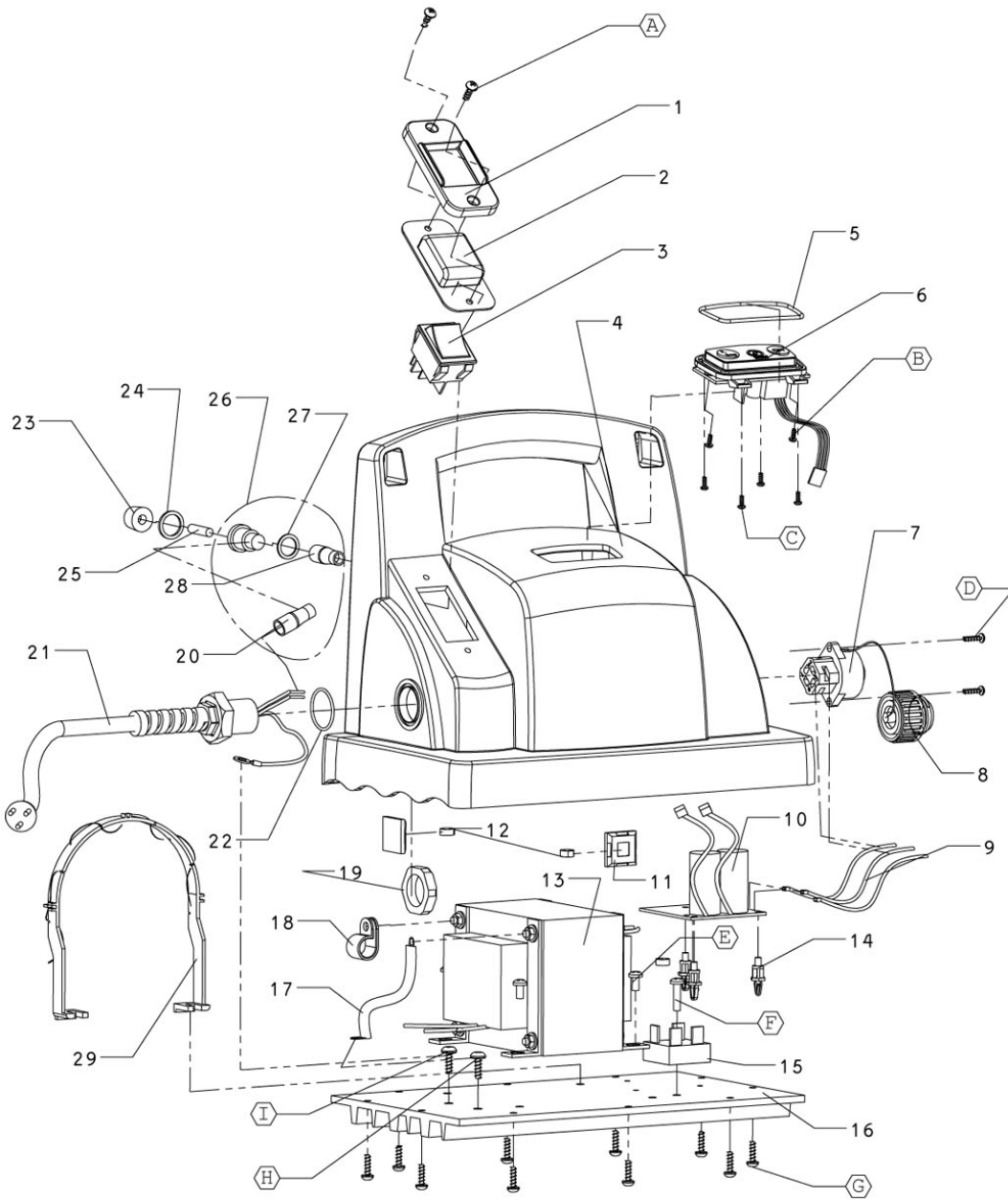


January 2006 P/No 8170090

DOLPHIN CADDY 9996092

No	Part Number	Description	Kit
01	6101900	HANDLE FOR CADDY	N
02	9986055	CADDY HORN - GREY	N
03	7300305	ALUMINIUM TUBE FOR CADDY	N
04	9986040	CADDY TOWER	N
05	9996079	WHEEL ASSY FOR CADDY	N
06	9956090	CADY BASE - GREY	N
A	3600940	FLAT WASHER 7.4X22X2.0	N
B	3379925	SCREW KB70X25 A2	N

POWER SUPPLY DYN +RES. 230V RD NOT AVAILABLE3



December 2006 - P/No 8170109

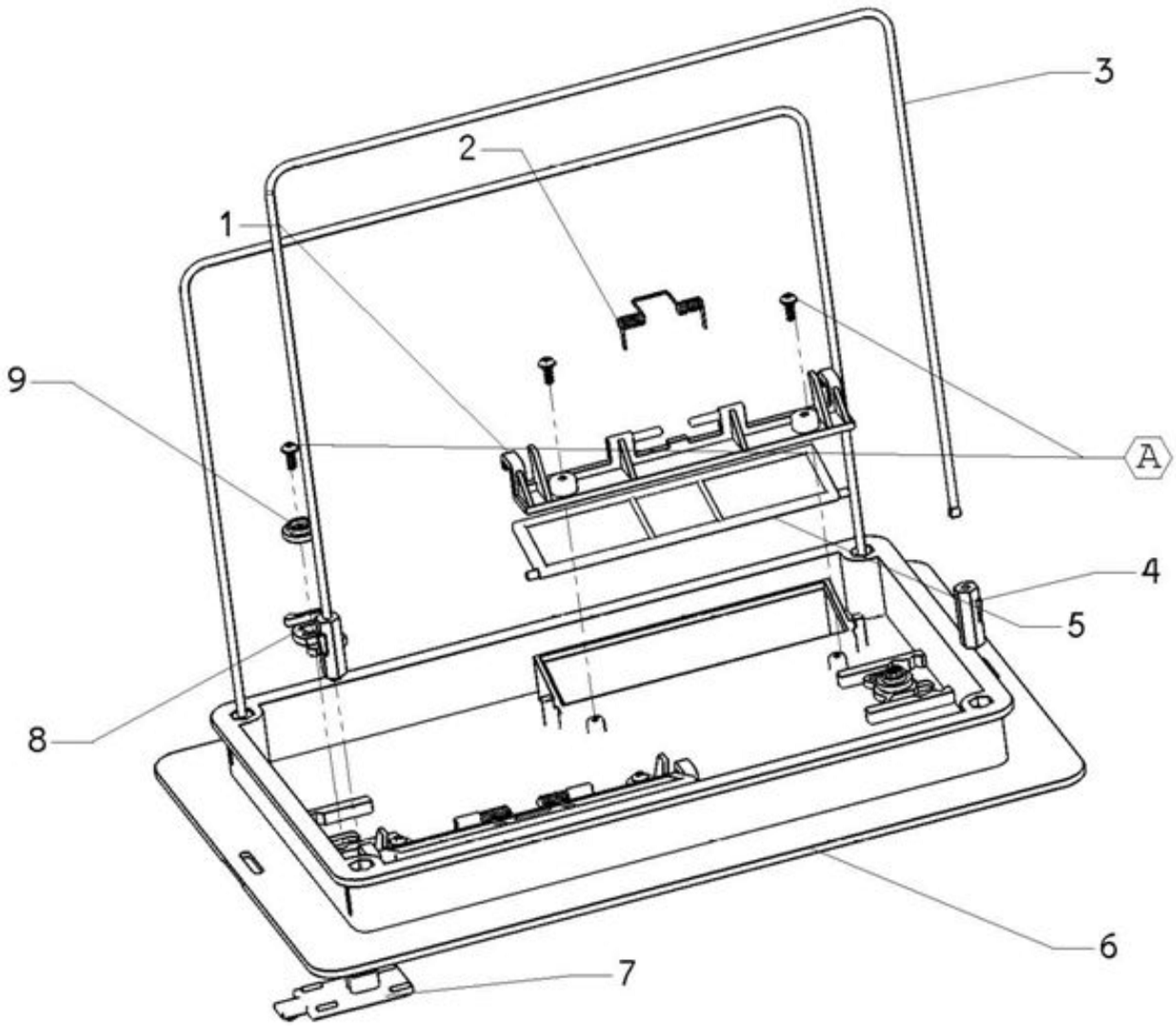
POWER SUPPLY DYN +RES. 230V RD NOT AVAILABLE3

No	Part Number	Description	Kit
01	9987022	BEZEL FOR D.BASIC PS SWITH COVER	N
02	9987023	SWITCH COVER FOR D.BASIC PS	N
03	1869595	SW ROCKER 20A for 250v PS	N
04	9986007	PS HOUSING DB + DISPLAY	N
05	9986003	SEAL FOR PS DISPLAY WIN.	N
06	9995112LF	PCB DYN RESET PWS INDICATOR ASSY	N
07	9995893LF	MARK2 P.SUPP DYN WIRING ASSY	N
08	5020012	AMPH. SOCKET COVER FOR P.S	N
09	9991241	WIRES BLK,WHT,RED FOR PS PLUG	N
10	9995129RD	PCB CARD ASSY - DYN RESET PS	N
11	2151294	CABLE TIE HOLDER BASE WITH GLUE	N
12	2151293	CABLE TIE WHITE YJ-115	N
14	1834138	SPACER SUPPORT FOR PCB M4X16	N
15	1353510LF	BRIDGE PS RECT. 1000V/35A	N
16	4191058	HEAT SINK FOR P.S MARK 2	N
18	2151207	CABLE CLAMP 8MM N/N-BK	N
19	5050108	NUT FOR POWER SUPPLY CABLE-EMPRV	N
20	5931035	OD10X35MM HEAT SHRINK TUBE	N
21	5898402LF	CABLE FOR P.S -EUR-TOUGH GROMET	N
22	3860221	ORING FOR PS CABLE 22X1.5	N
23	1930209	COVER FOR FUSE HOUSING	N
24	3860000	SEAL ORING 16.5X12.8 FUSE HOUSIN	N
25	1930126	FUSE GLASS-5X20 1.25A SLOW BLOW	N
26	1930207	FUSE HOUSING + WIRING ASSY	N
27	1930208	PLASTIC NUT FOR FUSE HOUSING	N
28	5931135	ID11X35MM HEAT SHRINK TUBE	N
29	9995938	ANTENA ASSY FOR DYNA P.S. MARK 2	N
A	3379410	SCREW WN1412 A2 KA40X10	N
C	3302506	SCREW COVERED KA25X6	N
D	3379212	SCREW KA30X12	N
E	3153508	SCREW M5X8 - 7985	N
F	3000516	SCREW FORM-H M5X16Z.P.	N
G	3379450	SCREW KA40X12	N
H	3153512	SCREW WIZ. M5X12 DIN965A FORM H	N
I	3153512	SCREW WIZ. M5X12 DIN965A FORM H	N

FILTER BAGS - CATALOG KIT 8883999

No	Part Number	Description	Kit
02	9995431-ASSY	FILTER BAG COARSE - ASSY	N
03	9995430-ASSY	FILTER BAG ASSY	N
04	9991440-ASSY	FILTER BAG DISP. PACK OF 5 ASSY	N

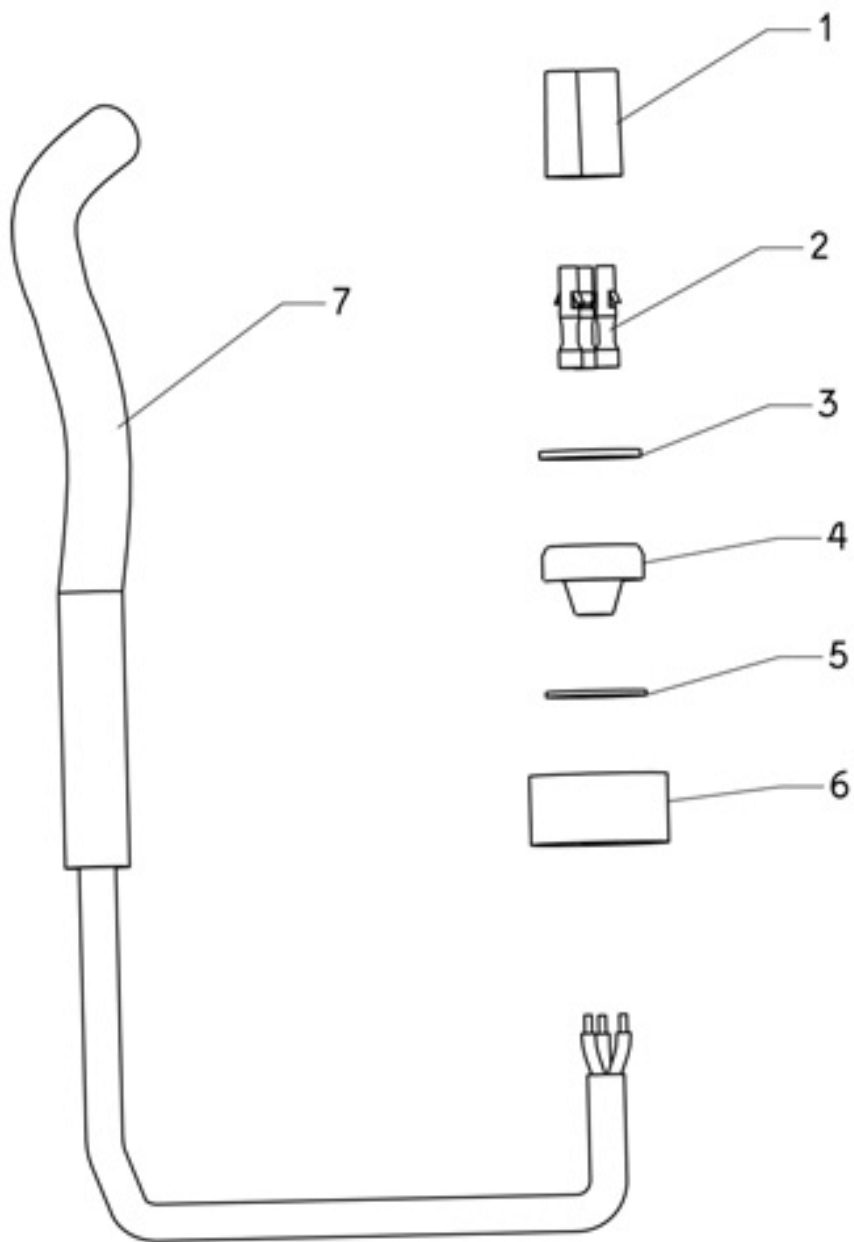
BOTTOM LID ASSY + SUPPORT 2005 9995550



BOTTOM LID ASSY+SUPPORT (2005) 9995550

No	Part Number	Description	Kit
01	9985442	BASE FOR NON RETURN FLAP NEW BL	N
02	3917014	BOTTOM LID SPRING	N
03	3966012	FILTER BAG SUPPORT	N
04	9985460	LOCK FOR FILTER BAG SUPPORT	N
05	9985441	NON RETURN FLAP FOR NEW BL	N
06	9985444	BOTTOM LID NEW	N
07	9985445	BRACKET FOR BOTTOM LID	N
08	9985443	SPRING FOR NEW BL	N
09	9981242	WASHER FOR SPRING NEW BL	N
A	3303008	SCREW KA30X8	N

RETROFIT FOR CABLE CONN.-3 PIN 9991279



September 2004 - 8170051

RETROFIT FOR CABLE CONN.-3 PIN 9991279

No	Part Number	Description	Kit
01	9985048	CABLE CONN.THREE PIN	N
02	1811404	CABLE CONNECTOR	N
03	9985027	PLASTIC WASHER 7MM X 2MM	N
04	3861002	RK RING FOR CABLE CONN.	N
05	9980025	WASHER-INSIDE DIA. 13MM	N
06	9980028	SCREW - BOLT MU CABLE CONNECTOR	N
07	9991753	SLEEVE FOR FLOATING CABLE	N

MOTOR UNIT- DYN.PROX-CATALOG KIT 8882004

No	Part Number	Description	Kit
01	9995335RD-ASSY	MU DYN DC PRO-X RD ASSY	N
02	9995332RD-NC	MU DYN DC PRO-X REC NC RD	N
03	9995332RD-EX	MU DYN DC PRO-X EX RD	N

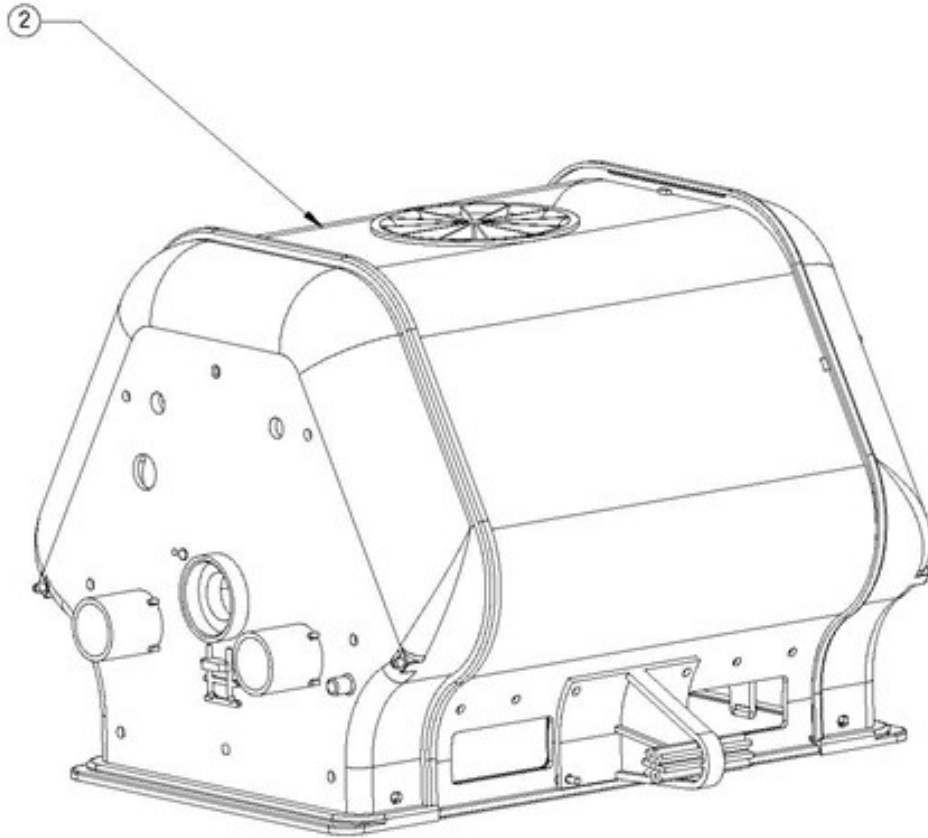
IMPELLER+SCREW DC 9995269

No	Part Number	Description	Kit
35	9985261	IMPELLER	N
D	3101410	SCREW M4X10	N

CABLE STOPPER ASSY. 9995064

No	Part Number	Description	Kit
01	3379212	SCREW KA30X12	N
02	9981171	CABLE STOPPER	N

Dolphin Dynamic Outer Casing (OC) diagram

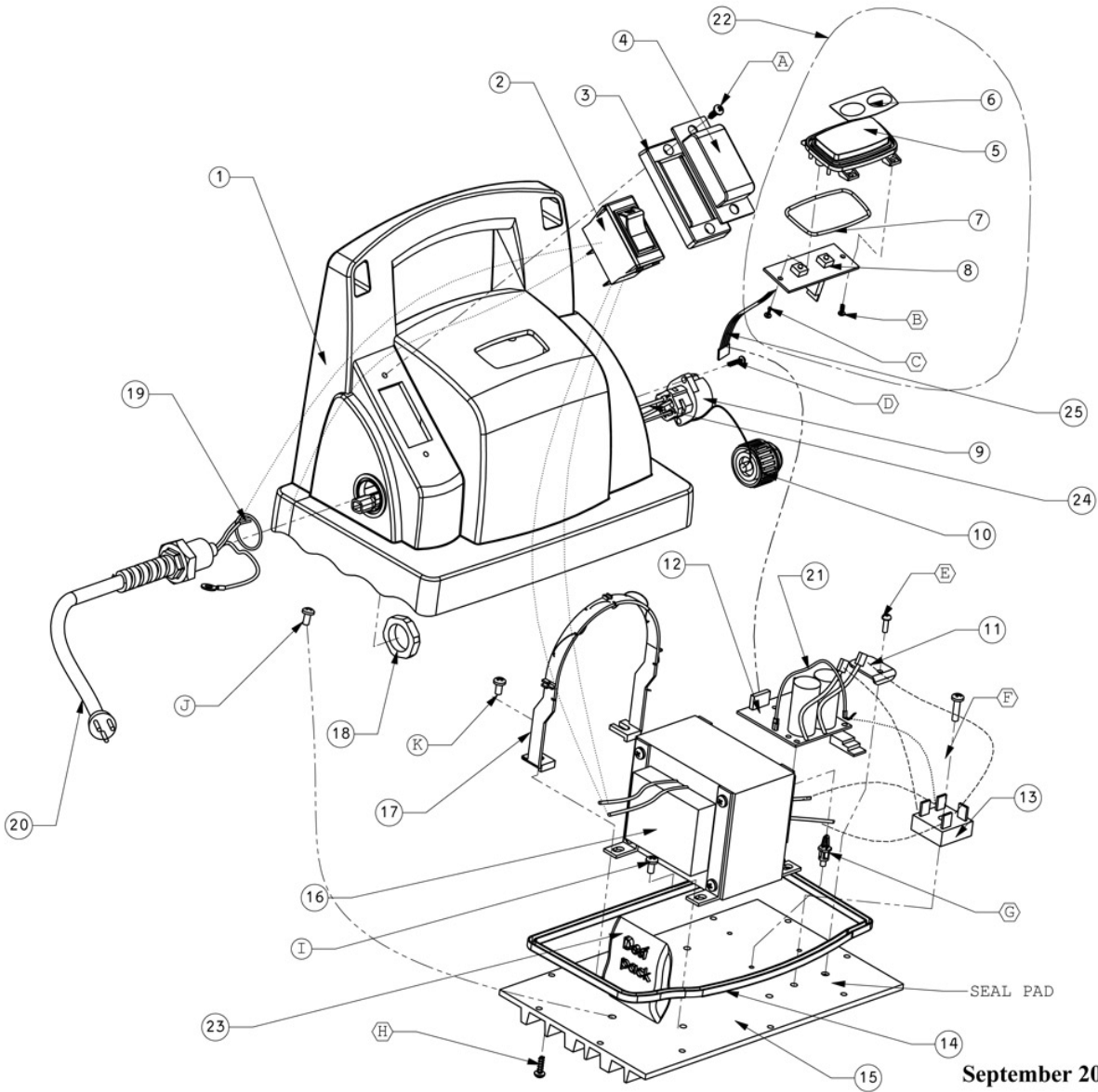


January 05 P/No 8170056

OC- DOL.PROX-CATALOG KIT 8881035

No	Part Number	Description	Kit
01	8000039	LOGO - DOLPHIN DYN.PRO X	N
02	8210020	CD - INSTRUCTIONS DOL.-PLUS/PRO	N
03	8420516	CARTON FOR DOLPHIN PRO-X	N
05	9995178	OUTER CASING PRO	N

PS DYN 230V RESET 9995651-ASSY



September 2004 - 8170018

DYNAMIC P.S. + FB INDICATOR 9995651-ASSY

No	Part Number	Description	Kit
01	9986005	PS HOUSING MARK 2-WITH DISPLAY	N
02	1862230	SWITCH 1.2A FOR PS 230VAC	N
03	5102002	SWITCH COVER FLANGE FOR P.S	N
04	5102002	SWITCH COVER FLANGE FOR P.S	N
09	5020011	AMPH. SOCKET FOR P.S	N
10	5020012	AMPH. SOCKET COVER FOR P.S	N
11	4190017	CLAMP FOR HEAT SINK MARK 2 P.S.	N
12	9995129LF	PCB CARD ASSY 230V DYN RESET PS	N
13	1353510LF	BRIDGE PS RECT. 1000V/35A	N
14	N.A.C.M	NON AVAILABLE FOR CURRENT MODEL	N
15	4191058	HEAT SINK FOR P.S MARK 2	N
17	9995938	ANTENA ASSY FOR DYNA P.S. MARK 2	N
18	5050107	CABLE CONN. NUT for MARK-II	N
19	3860221	ORING FOR PS CABLE 22X1.5	N
20	8883998	CABLE FOR P.S.-CATALOG KIT	Y
22	9995112LF	PCB DYN RESET PWS INDICATOR ASSY	N
23	N.A.C.M	NON AVAILABLE FOR CURRENT MODEL	N
24	9995893LF	MARK2 P.SUPP DYN WIRING ASSY	N
A	3379410	SCREW WN1412 A2 KA40X10	N
B	3302506	SCREW COVERED KA25X6	N
D	3379212	SCREW KA30X12	N
E	3153310	SCREW M3X10-7985 ROHS PLATED	N
F	3000516	SCREW FORM-H M5X16Z.P.	N
G	1834137	PCB POST NYLON P.SUPP 2X2	N
H	3379450	SCREW KA40X12	N
I	3153508	SCREW M5X8 - 7985	N
J	3153512	SCREW WIZ. M5X12 DIN965A FORM H	N
K	3153512	SCREW WIZ. M5X12 DIN965A FORM H	N